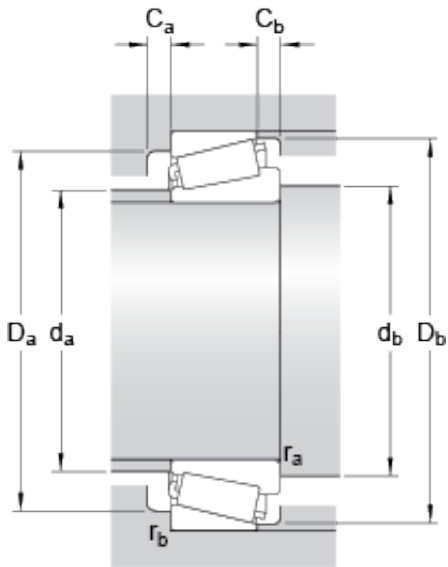




# NTNY BEARING LTD



17 mm x 40 mm x 12 mm skf 30203 bearing

Bearing No. 30203

30203 Bearing 2D drawings and 3D CAD models

Dimension series	2DB
d	17 mm
D	40 mm
T	13.25 mm
d <sub>1</sub>	29 mm
B	12 mm
C	11 mm
r <sub>1,2</sub> min.	1 mm
r <sub>3,4</sub> min.	1 mm
a	9.515 mm
d <sub>a</sub> max.	23 mm
d <sub>b</sub> min.	23.5 mm
D <sub>a</sub> min.	34 mm
D <sub>a</sub> max.	34.5 mm
D <sub>b</sub> min.	37 mm
C <sub>a</sub> min.	2 mm
C <sub>b</sub> min.	2 mm
r <sub>a</sub> max.	1 mm
r <sub>b</sub> max.	1 mm
Basic dynamic load rating C	23.4 kN
Basic static load rating C <sub>0</sub>	18.6 kN
Fatigue load limit P <sub>u</sub>	1.83 kN
Reference speed	15000 r/min
Limiting speed	18000 r/min
Calculation factor e	0.35
Calculation factor Y	1.7



## NTNY BEARING LTD

Calculation factor $Y_0$	0.9
Mass bearing	0.079 kg