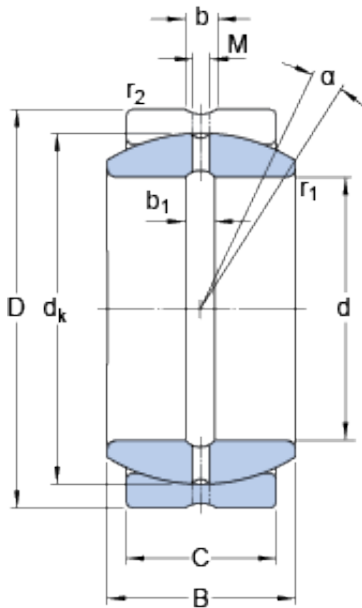




NTNY BEARING LTD

70 mm x 105 mm x 49 mm skf ge 70 es bearing



ge 70 es Bearing 2D drawings and 3D CAD models

Bearing No. ge 70 es

Size	105x70x49 mm
Bore Diameter	105 mm
Outer Diameter	70 mm
Width	49 mm
d	70 mm
D	105 mm
B	49 mm
C	40 mm
	6 °
d _k	92 mm
b	7.7 mm
b ₁	7.7 mm
M	4 mm
r ₁ - min.	1 mm
r ₂ - min.	1 mm
d _a - min.	76.7 mm
d _a - max.	77.9 mm
D _a - min.	87.4 mm
D _a - max.	99 mm
r _a - max.	1 mm
r _b - max.	1 mm
Basic dynamic load rating - C	315 kN
Basic static load rating - C ₀	1560 kN
Specific factor dinamic load - K	100 N/mm ²



NTNY BEARING LTD

Specific factor static load - K_0	500 N/mm ²
Constant - K_M	330
Category	Spherical Plain Bearings - Radial
Inventory	0.0
Manufacturer Name	SKF
Minimum Buy Quantity	N/A
Weight / Kilogram	1.55
Product Group	B04286
Self Aligning	Yes
Rolling Element	Spherical Plain
Material - Outer Member	Steel
Material - Ball	Steel
Material - Liner	Not Applicable
Relubricatable	Yes
Enclosure	Open
Other Features	2 Piece Lubrication Hole and an Annular Groove in Both Rings
Long Description	70MM Bore; 40MM Housing Width; 105MM Outside Diameter; Spherical Plain; Steel Outer Member; Steel Ball; No Liner; 49MM Overall Width; Relubricatable
Inch - Metric	Metric
Category	Plain Bearings Spherical Radial
UNSPSC	31171515
Harmonized Tariff Code	8483.30.80.70
Noun	Bearing
Keyword 3	Spherical
Keyword String	Plain Spherical Radial



NTNY BEARING LTD

Manufacturer URL	http://www.skf.com
Manufacturer Item Number	GE 70 ES
Weight / LBS	3.417
Bore	2.756 Inch 70 Millimeter
Outside Diameter	4.134 Inch 105 Millimeter
Overall Width	1.929 Inch 49 Millimeter
Housing Width	1.575 Inch 40 Millimeter
bore diameter:	70 mm
inner ring material:	Chrome Steel
outside diameter:	105 mm
outer ring width:	40 mm
misalignment angle:	6 °
grade:	Commercial/Industrial
inner ring width:	49 mm
radial static load capacity:	1560 kN
bearing type:	Radial
radial dynamic load capacity:	315 kN
lubrication type:	Requires Lubrication
operating temperature range:	-50 to +200 ° C ° F
closure type:	Open
overall width:	49 mm
outer ring material:	Chrome Steel
manufacturer upc number:	7316576609442
Lubricant	Regular relubrication – grease
Design (sliding contact surface combination)	Steel/steel
Sealing solution	-
	6 °
d _k	92 mm
b ₁	7.7 mm



NTNY BEARING LTD

r_1 min.	1 mm
r_2 min.	1 mm
d_a min.	76.7 mm
d_a max.	77.9 mm
D_a min.	87.4 mm
D_a max.	99 mm
r_a max.	1 mm
r_b max.	1 mm
Basic dynamic load rating C	315 kN
Basic static load rating C_0	1560 kN
Specific dynamic load factor K	100 N/mm ²
Specific static load factor K_0	500 N/mm ²
Material constant K_M	330
Mass plain bearing	1.55 kg