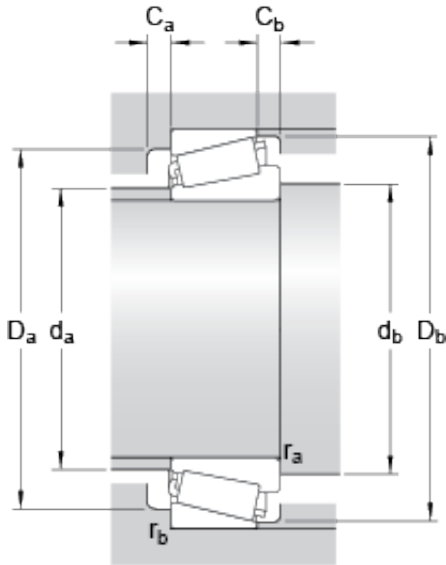




NTNY BEARING LTD

45 mm x 100 mm x 25 mm skf 31309 bearing

Bearing No. 31309



31309 Bearing 2D drawings and 3D CAD models

| | |
|---|------------|
| Dimension series | 7FB |
| d | 45 mm |
| D | 100 mm |
| T | 27.25 mm |
| d ₁ | 74.7 mm |
| B | 25 mm |
| C | 18 mm |
| r _{1,2} min. | 2 mm |
| r _{3,4} min. | 1.5 mm |
| a | 31.023 mm |
| d _a max. | 57 mm |
| d _b min. | 55 mm |
| D _a min. | 79 mm |
| D _a max. | 92 mm |
| D _b min. | 95 mm |
| C _a min. | 4 mm |
| C _b min. | 9 mm |
| r _a max. | 2 mm |
| r _b max. | 1.5 mm |
| Basic dynamic load rating C | 113 kN |
| Basic static load rating C ₀ | 102 kN |
| Fatigue load limit P _u | 12.5 kN |
| Reference speed | 5000 r/min |
| Limiting speed | 6700 r/min |
| Calculation factor e | 0.83 |
| Calculation factor Y | 0.72 |
| | |



NTNY BEARING LTD

| | |
|--------------------------|---------|
| Calculation factor Y_0 | 0.4 |
| Mass bearing | 0.95 kg |