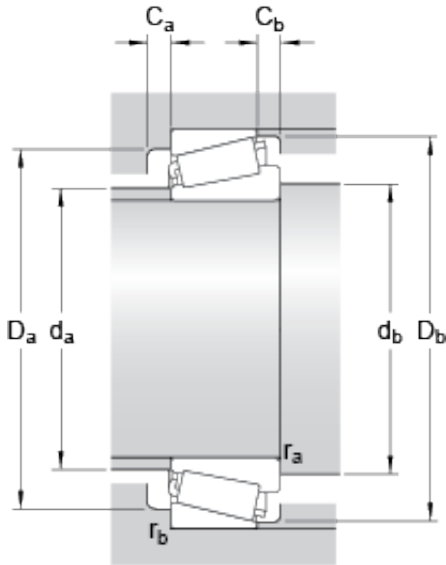




NTNY BEARING LTD

110 mm x 200 mm x 53 mm skf 32222 bearing

Bearing No. 32222



32222 Bearing 2D drawings and 3D CAD models

Dimension series	3FC
d	110 mm
D	200 mm
T	56 mm
d ₁	151.53 mm
B	53 mm
C	46 mm
r _{1,2} min.	3 mm
r _{3,4} min.	2.5 mm
a	46.367 mm
d _a max.	127 mm
d _b min.	124 mm
D _a min.	170 mm
D _a max.	188 mm
D _b min.	190 mm
C _a min.	6 mm
C _b min.	10 mm
r _a max.	3 mm
r _b max.	2.5 mm
Basic dynamic load rating C	491 kN
Basic static load rating C ₀	570 kN
Fatigue load limit P _u	61 kN
Reference speed	2600 r/min
Limiting speed	3200 r/min
Calculation factor e	0.43
Calculation factor Y	1.4



NTNY BEARING LTD

Calculation factor Y_0	0.8
Mass bearing	7.09 kg