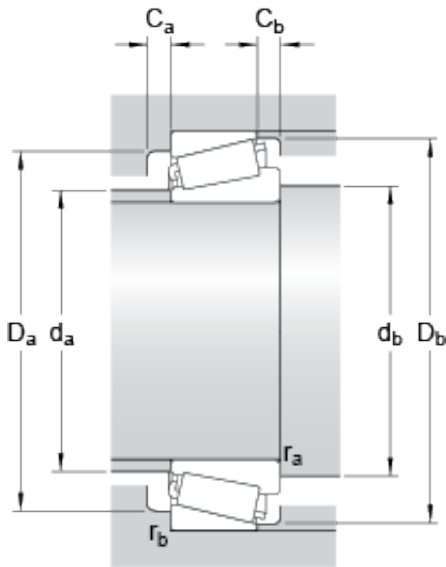




NTNY BEARING LTD

30 mm x 72 mm x 27 mm skf 32306 bearing

Bearing No. 32306



32306 Bearing 2D drawings and 3D CAD models

Dimension series	2FD
d	30 mm
D	72 mm
T	28.75 mm
d ₁	48.7 mm
B	27 mm
C	23 mm
r _{1,2} min.	1.5 mm
r _{3,4} min.	1.5 mm
a	17.569 mm
d _a max.	39 mm
d _b min.	38 mm
D _a min.	59 mm
D _a max.	65 mm
D _b min.	66 mm
C _a min.	4 mm
C _b min.	5.5 mm
r _a max.	1.5 mm
r _b max.	1.5 mm
Basic dynamic load rating C	95 kN
Basic static load rating C ₀	85 kN
Fatigue load limit P _u	9.65 kN
Reference speed	7500 r/min
Limiting speed	10000 r/min
Calculation factor e	0.31
Calculation factor Y	1.9



NTNY BEARING LTD

Calculation factor Y_0	1.1
Mass bearing	0.55 kg