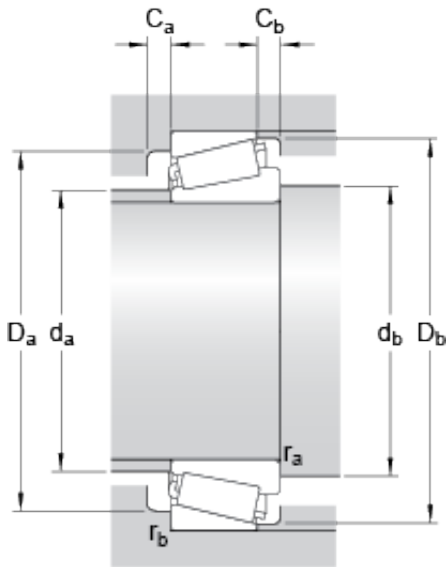




NTNY BEARING LTD

35 mm x 72 mm x 28 mm skf 33207 bearing

Bearing No. 33207



33207 Bearing 2D drawings and 3D CAD models

Dimension series	2DE
d	35 mm
D	72 mm
T	28 mm
d ₁	53.45 mm
B	28 mm
C	22 mm
r _{1,2} min.	1.5 mm
r _{3,4} min.	1.5 mm
a	18.084 mm
d _a max.	43 mm
d _b min.	43.5 mm
D _a min.	61 mm
D _a max.	64.5 mm
D _b min.	68 mm
C _a min.	5 mm
C _b min.	6 mm
r _a max.	1.5 mm
r _b max.	1.5 mm
Basic dynamic load rating C	104 kN
Basic static load rating C ₀	106 kN
Fatigue load limit P _u	11.8 kN
Reference speed	7000 r/min
Limiting speed	9500 r/min
Calculation factor e	0.35
Calculation factor Y	1.7



NTNY BEARING LTD

Calculation factor Y_0	0.9
Mass bearing	0.53 kg