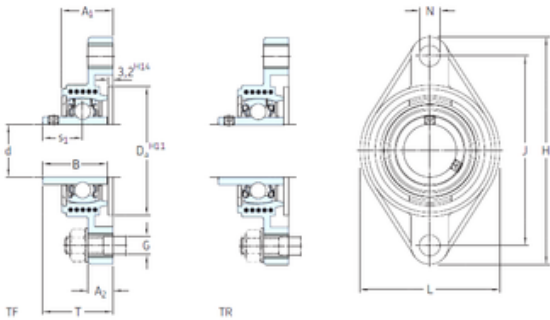




# NTNY BEARING LTD

## skf fytbk 25 tf bearing

Bearing No. fytbk 25 tf



fytkb 25 tf Bearing 2D drawings and 3D CAD models

Bore Diameter	25 mm
d	25 mm
Da	63,5 mm
s1	19,8 mm
A1	30 mm
B	34,1 mm
G	10 mm
H	124 mm
J	99 mm
L	70 mm
N	12 mm
T	38,8 mm
A2	15 mm
Weight	0,29 Kg
Basic dynamic load rating (C)	14 kN
Basic static load rating (C0)	7,8 kN
Fatigue load limit (Pu)	0,335
Category	Bearings
Inventory	0.0
Manufacturer Name	SKF
Minimum Buy Quantity	N/A
UNSPSC	31171501
Weight / Kilogram	0.29
EAN	7316570453256
Product Group	M06110
Housing material	Composite



## NTNY BEARING LTD

$D_a$	63.5 mm
$D_b$	65 mm
A	30 mm
$A_1$	15 mm
$A_3$	3.2 mm
$A_5$	18 mm
$B_4$	5 mm
$s_1$	19.8 mm
Basic dynamic load rating C	14 kN
Basic static load rating $C_0$	7.8 kN
Fatigue load limit $P_u$	0.335 kN
Limiting speed	7000 r/min
Mass bearing unit	0.27 kg
Thread grub screw $G_2$	M6x0.75
Hexagonal key size for grub screw N	3 mm
Recommended tightening torque for grub screw	4 N · m
Recommended diameter for attachment bolts, mm G	10 mm
Recommended diameter for attachment bolts, inch G	0.375 in