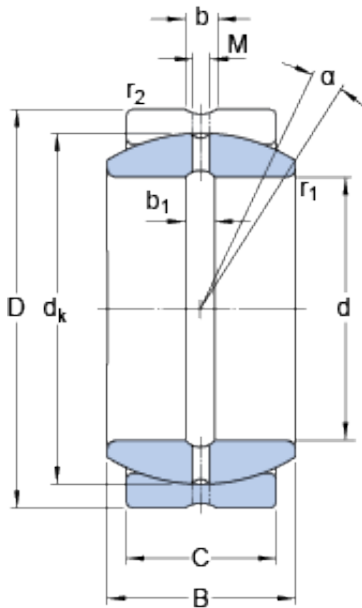




NTNY BEARING LTD

20 mm x 35 mm x 16 mm skf ge 20 es bearing



Bearing No. ge 20 es

Size	35x20x16 mm
Bore Diameter	35 mm
Outer Diameter	20 mm
Width	16 mm
d	20 mm
D	35 mm
B	16 mm
C	12 mm
	9 °
d _k	29 mm
b	3.1 mm
b ₁	3.1 mm
M	2 mm
r ₁ - min.	0.3 mm
r ₂ - min.	0.3 mm
d _a - min.	22.1 mm
d _a - max.	24.2 mm
D _a - min.	27.6 mm
D _a - max.	33.2 mm
r _a - max.	0.3 mm
r _b - max.	0.3 mm
Basic dynamic load rating - C	30 kN
Basic static load rating - C ₀	146 kN
Specific factor dinamic load - K	100 N/mm ²

ge 20 es Bearing 2D drawings and 3D CAD models



NTNY BEARING LTD

Specific factor static load - K_0	500 N/mm ²
Constant - K_M	330
Size	20x35x16 mm
Bore Diameter	20 mm
Outer Diameter	35 mm
Width	16 mm
d	20 mm
D	35 mm
B	16 mm
C	12 mm
	9 °
d_k	29 mm
b	3.1 mm
b_1	3.1 mm
M	2 mm
r_1 - min.	0.3 mm
r_2 - min.	0.3 mm
d_a - min.	22.1 mm
d_a - max.	24.2 mm
D_a - min.	27.6 mm
D_a - max.	33.2 mm
r_a - max.	0.3 mm
r_b - max.	0.3 mm
Basic dynamic load rating - C	30 kN
Basic static load rating - C_0	146 kN
Specific factor dynamic load - K	100 N/mm ²
Specific factor static load - K_0	500 N/mm ²
Constant - K_M	330



NTNY BEARING LTD

Category	Spherical Plain Bearings - Radial
Inventory	0.0
Manufacturer Name	SKF
Minimum Buy Quantity	N/A
Weight / Kilogram	0.068
EAN	7316576609268
Product Group	B04264
Self Aligning	Yes
Rolling Element	Spherical Plain
Material - Outer Member	Steel
Material - Ball	Steel
Material - Liner	Not Applicable
Relubricatable	Yes
Enclosure	Open
Other Features	2 Piece Lubrication Hole and an Annular Groove in Both Rings
Long Description	20MM Bore; 12MM Housing Width; 35MM Outside Diameter; Spherical Plain; Steel Outer Member; Steel Ball; No Liner; 16MM Overall Width; Relubricatable
Inch - Metric	Metric
Category	Plain Bearings Spherical Radial
UNSPSC	31171515
Harmonized Tariff Code	8483.30.80.70
Noun	Bearing
Keyword 3	Spherical
Keyword String	Plain Spherical Radial
Manufacturer URL	http://www.skf.com
Manufacturer Item Number	GE 20 ES



NTNY BEARING LTD

Weight / LBS	0.143
Housing Width	0.472 Inch 12 Millimeter
Overall Width	0.63 Inch 16 Millimeter
Bore	0.787 Inch 20 Millimeter
Outside Diameter	1.378 Inch 35 Millimeter
bore diameter:	20 mm
inner ring material:	Chrome Steel
outside diameter:	35 mm
outer ring width:	12 mm
misalignment angle:	9 °
grade:	Commercial/Industrial
inner ring width:	16 mm
overall width:	16 mm
bearing type:	Radial
radial static load capacity:	146 kN
lubrication type:	Requires Lubrication
radial dynamic load capacity:	30 kN
closure type:	Open
operating temperature range:	-50 to +200 ° C ° F
outer ring material:	Chrome Steel
manufacturer upc number:	7316576609268
Lubricant	Regular relubrication – grease
Design (sliding contact surface combination)	Steel/steel
Sealing solution	-
	9 °
d _k	29 mm
b ₁	3.1 mm
r ₁ min.	0.3 mm
r ₂ min.	0.3 mm



NTNY BEARING LTD

d_a min.	22.1 mm
d_a max.	24.2 mm
D_a min.	27.6 mm
D_a max.	33.2 mm
r_a max.	0.3 mm
r_b max.	0.3 mm
Basic dynamic load rating C	30 kN
Basic static load rating C_0	146 kN
Specific dynamic load factor K	100 N/mm ²
Specific static load factor K_0	500 N/mm ²
Material constant K_M	330
Mass plain bearing	0.065 kg