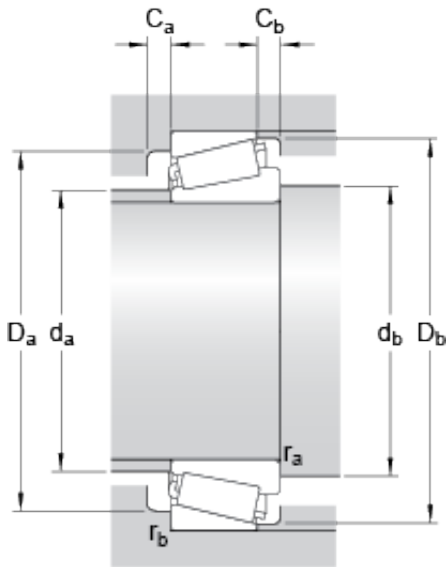




# NTNY BEARING LTD

## 70 mm x 150 mm x 51 mm skf 32314 bearing

Bearing No. 32314



32314 Bearing 2D drawings and 3D CAD models

Dimension series	2GD
d	70 mm
D	150 mm
T	54 mm
d <sub>1</sub>	106.15 mm
B	51 mm
C	42 mm
r <sub>1,2</sub> min.	3 mm
r <sub>3,4</sub> min.	2.5 mm
a	35.55 mm
d <sub>a</sub> max.	87 mm
d <sub>b</sub> min.	83 mm
D <sub>a</sub> min.	125 mm
D <sub>a</sub> max.	139 mm
D <sub>b</sub> min.	140 mm
C <sub>a</sub> min.	6 mm
C <sub>b</sub> min.	12 mm
r <sub>a</sub> max.	3 mm
r <sub>b</sub> max.	2.5 mm
Basic dynamic load rating C	363 kN
Basic static load rating C <sub>0</sub>	380 kN
Fatigue load limit P <sub>u</sub>	45 kN
Reference speed	3400 r/min
Limiting speed	4500 r/min
Calculation factor e	0.35
Calculation factor Y	1.7



## NTNY BEARING LTD

Calculation factor $Y_0$	0.9
Mass bearing	4.28 kg