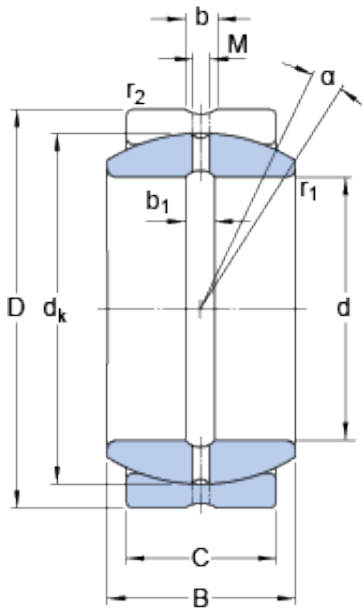




NTNY BEARING LTD

30 mm x 47 mm x 22 mm skf ge 30 es bearing

Bearing No. ge 30 es



ge 30 es Bearing 2D drawings and 3D CAD models

Size	47x30x22 mm
Bore Diameter	47 mm
Outer Diameter	30 mm
Width	22 mm
d	30 mm
D	47 mm
B	22 mm
C	18 mm
	6 °
d _k	40.7 mm
b	3.1 mm
b ₁	3.1 mm
M	2 mm
r ₁ - min.	0.6 mm
r ₂ - min.	0.6 mm
d _a - min.	33.3 mm
d _a - max.	34.2 mm
D _a - min.	38.7 mm
D _a - max.	44 mm
r _a - max.	0.6 mm
r _b - max.	0.6 mm
Basic dynamic load rating - C	62 kN
Basic static load rating - C ₀	310 kN
Specific factor dinamic load - K	100 N/mm ²



NTNY BEARING LTD

Specific factor static load - K_0	500 N/mm ²
Constant - K_M	330
Size	30x47x22 mm
Bore Diameter	30 mm
Outer Diameter	47 mm
Width	22 mm
d	30 mm
D	47 mm
B	22 mm
C	18 mm
	6 °
d_k	40.7 mm
b	3.1 mm
b_1	3.1 mm
M	2 mm
r_1 - min.	0.6 mm
r_2 - min.	0.6 mm
d_a - min.	33.3 mm
d_a - max.	34.2 mm
D_a - min.	38.7 mm
D_a - max.	44 mm
r_a - max.	0.6 mm
r_b - max.	0.6 mm
Basic dynamic load rating - C	62 kN
Basic static load rating - C_0	310 kN
Specific factor dynamic load - K	100 N/mm ²
Specific factor static load - K_0	500 N/mm ²
Constant - K_M	330



NTNY BEARING LTD

Category	Spherical Plain Bearings - Radial
Inventory	0.0
Manufacturer Name	SKF
Minimum Buy Quantity	N/A
Weight / Kilogram	0.16
EAN	7316576609329
Product Group	B04264
Self Aligning	Yes
Rolling Element	Spherical Plain
Material - Outer Member	Steel
Material - Ball	Steel
Material - Liner	Not Applicable
Relubricatable	Yes
Enclosure	Open
Other Features	2 Piece Lubrication Hole and an Annular Groove in Both Rings
Long Description	30MM Bore; 18MM Housing Width; 47MM Outside Diameter; Spherical Plain; Steel Outer Member; Steel Ball; No Liner; 22MM Overall Width; Relubricatable
Inch - Metric	Metric
Category	Plain Bearings Spherical Radial
UNSPSC	31171515
Harmonized Tariff Code	8483.30.80.70
Noun	Bearing
Keyword 3	Spherical
Keyword String	Plain Spherical Radial
Manufacturer URL	http://www.skf.com
Manufacturer Item Number	GE 30 ES



NTNY BEARING LTD

Weight / LBS	0.353
Housing Width	0.709 Inch 18 Millimeter
Bore	1.181 Inch 30 Millimeter
Outside Diameter	1.85 Inch 47 Millimeter
Overall Width	0.866 Inch 22 Millimeter
bore diameter:	30 mm
inner ring material:	Chrome Steel
outside diameter:	47 mm
outer ring width:	18 mm
misalignment angle:	6 °
grade:	Commercial/Industrial
inner ring width:	22 mm
radial static load capacity:	310 kN
bearing type:	Radial
radial dynamic load capacity:	62 kN
lubrication type:	Requires Lubrication
operating temperature range:	-50 to +200 ° C ° F
closure type:	Open
overall width:	22 mm
outer ring material:	Chrome Steel
manufacturer upc number:	7316576609329
Lubricant	Regular relubrication – grease
Design (sliding contact surface combination)	Steel/steel
Sealing solution	-
	6 °
d _k	40.7 mm
b ₁	3.1 mm
r ₁ min.	0.6 mm
r ₂ min.	0.6 mm



NTNY BEARING LTD

d_a min.	33.3 mm
d_a max.	34.2 mm
D_a min.	38.7 mm
D_a max.	44 mm
r_a max.	0.6 mm
r_b max.	0.6 mm
Basic dynamic load rating C	62 kN
Basic static load rating C_0	310 kN
Specific dynamic load factor K	100 N/mm ²
Specific static load factor K_0	500 N/mm ²
Material constant K_M	330
Mass plain bearing	0.16 kg