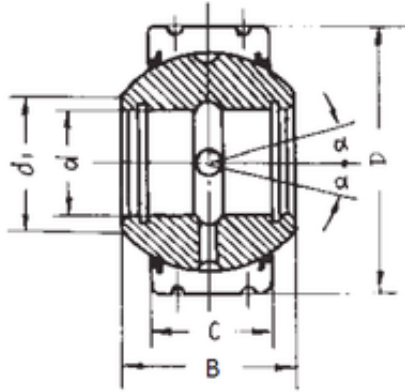




NTNY BEARING LTD

35 mm x 80 mm x 54 mm FBJ GEK35XS-2RS
plain bearings



Bearing No. GEK35XS-2RS

Size	35x80x54 mm
Bore Diameter	35 mm
Outer Diameter	80 mm
Width	54 mm
d	35 mm
D	80 mm
B	54 mm
C	38 mm
d1	443,5 mm
Angle	17 °
Weight	1,23 Kg
Basic dynamic load rating (C)	226 kN

GEK35XS-2RS Bearing 2D drawings and 3D CAD models