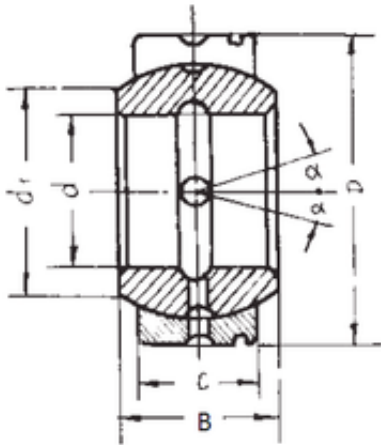




NTNY BEARING LTD



130 mm x 200 mm x 110 mm FBJ GE130XS/K
plain bearings

Bearing No. GE130XS/K

Size	130x200x110 mm
Bore Diameter	130 mm
Outer Diameter	200 mm
Width	110 mm
d	130 mm
D	200 mm
B	110 mm
C	95 mm
d1	148,5 mm
Angle	5 °
Weight	13,8 Kg
Basic dynamic load rating (C)	1390 kN

GE130XS/K Bearing 2D drawings and 3D CAD models