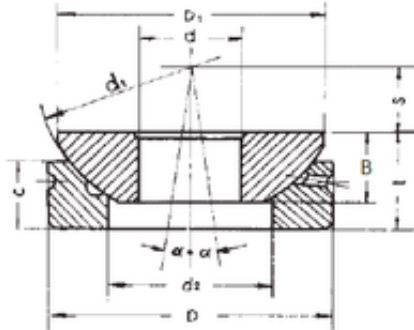




# NTNY BEARING LTD

## 17 mm x 47 mm x 11,8 mm FBJ GX17S plain bearings



Bearing No. GX17S

Size	17x47x16 mm
Bore Diameter	17 mm
Outer Diameter	47 mm
Width	16 mm
d	17 mm
D	47 mm
T	16 mm
B	11,8 mm
C	11,2 mm
d1	52 mm
d2	27 mm
D1	43,5 mm
S	11 mm
Angle	10 °
Weight	0,137 Kg
Basic dynamic load rating (C)	58,5 kN

GX17S Bearing 2D drawings and 3D CAD models