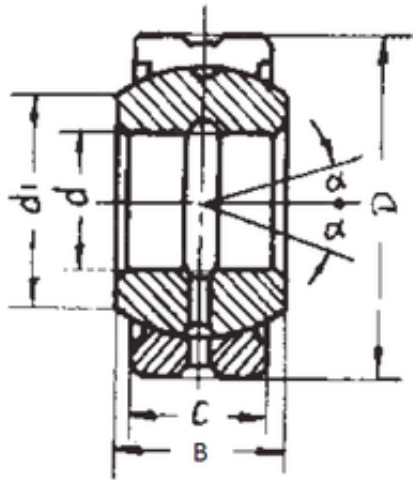




NTNY BEARING LTD



30 mm x 47 mm x 22 mm FBJ GE30ES-2RS
plain bearings

Bearing No. GE30ES-2RS

Size	30x47x22 mm
Bore Diameter	30 mm
Outer Diameter	47 mm
Width	22 mm
d	30 mm
D	47 mm
B	22 mm
C	18 mm
d1	34 mm
Angle	6 °
Weight	0,513 Kg
Basic dynamic load rating (C)	62 kN

GE30ES-2RS Bearing 2D drawings and 3D CAD models