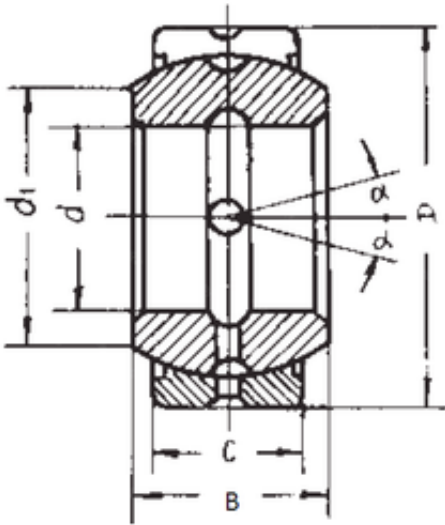




NTNY BEARING LTD



114,3 mm x 177,8 mm x 100,013 mm FBJ
 GEZ114ES-2RS plain bearings

Bearing No. GEZ114ES-2RS

Size	114.3x177.8x100.013 mm
Bore Diameter	114,3 mm
Outer Diameter	177,8 mm
Width	100,013 mm
d	114,3 mm
D	177,8 mm
B	100,013 mm
C	85,725 mm
d1	130,6 mm
Angle	6 °
Weight	9,79 Kg
Basic dynamic load rating (C)	1120 kN

GEZ114ES-2RS Bearing 2D drawings and 3D CAD models