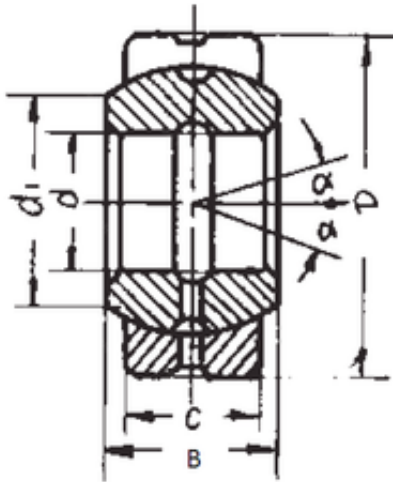




# NTNY BEARING LTD



240 mm x 340 mm x 140 mm FBJ GE240ES  
plain bearings

Bearing No. GE240ES

Size	240x340x140 mm
Bore Diameter	240 mm
Outer Diameter	340 mm
Width	140 mm
d	240 mm
D	340 mm
B	140 mm
C	100 mm
d1	265 mm
Angle	8 °
Weight	39,91 Kg
Basic dynamic load rating (C)	2550 kN

GE240ES Bearing 2D drawings and 3D CAD models