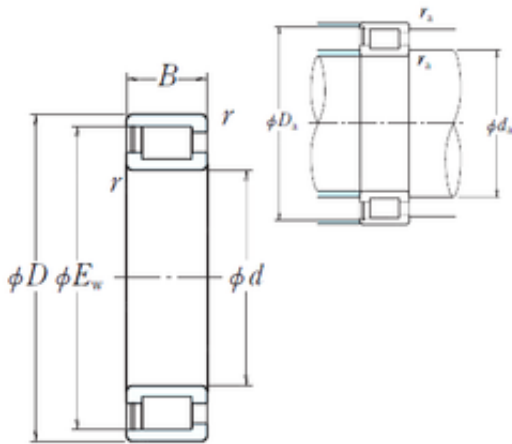




NCF1838V NSK CYLINDRICAL ROLLER BEARING

Bearing No. NCF1838V



NCF1838V Bearing 2D drawings and 3D CAD models

Size	190x228.7x24 mm
Bore Diameter	190 mm
Outer Diameter	228,7 mm
Width	24 mm
d	190 mm
D	240 mm
Ew	228,7 mm
B	24 mm
C	24 mm
r min.	1,5 mm
Da	229 mm
ra max.	1,5 mm
da	202 mm
Weight	2,4 Kg
Basic dynamic load rating (C)	178 kN