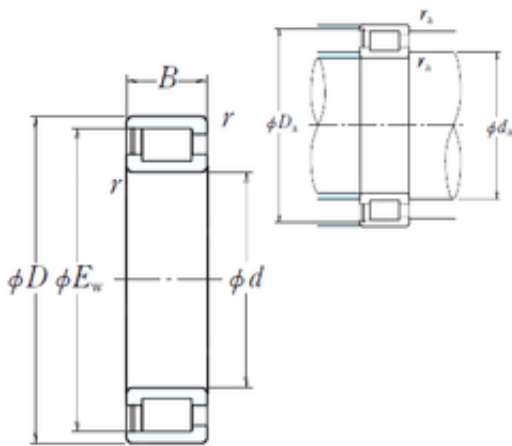




NCF1840V NSK CYLINDRICAL ROLLER BEARING

Bearing No. NCF1840V



NCF1840V Bearing 2D drawings and 3D CAD models

Size	200x237x24 mm
Bore Diameter	200 mm
Outer Diameter	237 mm
Width	24 mm
d	200 mm
D	250 mm
Ew	237 mm
B	24 mm
C	24 mm
r min.	1,5 mm
Da	238 mm
ra max.	1,5 mm
da	213 mm
Weight	2,5 Kg
Basic dynamic load rating (C)	182 kN