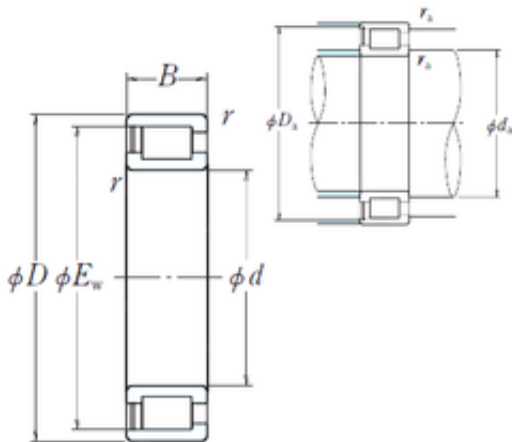




NCF1856V NSK CYLINDRICAL ROLLER BEARING

Bearing No. NCF1856V



NCF1856V Bearing 2D drawings and 3D CAD models

Size	280x333.9x33 mm
Bore Diameter	280 mm
Outer Diameter	333,9 mm
Width	33 mm
d	280 mm
D	350 mm
Ew	333,9 mm
B	33 mm
C	33 mm
r min.	2,5 mm
Da	334 mm
ra max.	2 mm
da	298 mm
Weight	6,8 Kg
Basic dynamic load rating (C)	330 kN