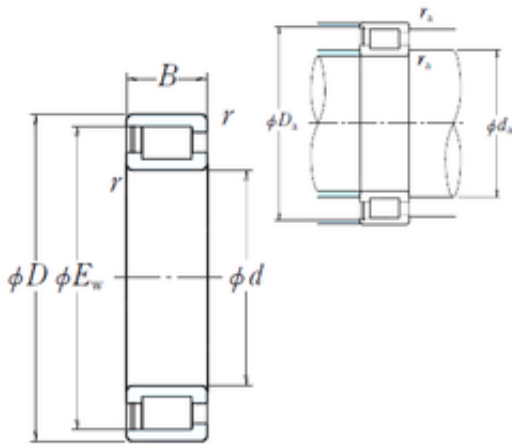




NCF1892V NSK CYLINDRICAL ROLLER BEARING

Bearing No. NCF1892V



NCF1892V Bearing 2D drawings and 3D CAD models

Size	460x552.7x56 mm
Bore Diameter	460 mm
Outer Diameter	552,7 mm
Width	56 mm
d	460 mm
D	580 mm
Ew	552,7 mm
B	56 mm
C	56 mm
r min.	3 mm
Da	555 mm
ra max.	2,5 mm
da	483 mm
Weight	32,5 Kg
Basic dynamic load rating (C)	920 kN