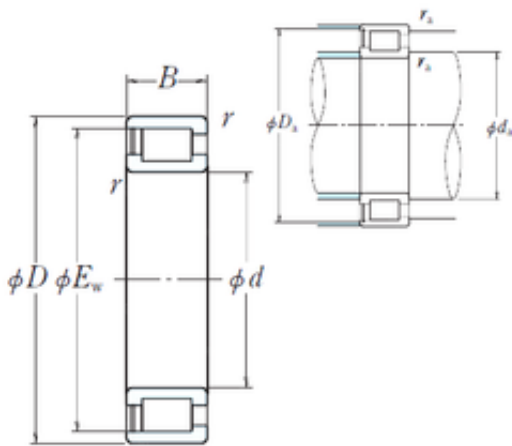




NCF18/530V NSK CYLINDRICAL ROLLER BEARING



Bearing No. NCF18/530V

Size	530x624x56 mm
Bore Diameter	530 mm
Outer Diameter	624 mm
Width	56 mm
d	530 mm
D	650 mm
Ew	624 mm
B	56 mm
C	56 mm
r min.	3 mm
Da	625 mm
ra max.	2,5 mm
da	554 mm
Weight	36,9 Kg
Basic dynamic load rating (C)	990 kN

NCF18/530V Bearing 2D drawings and 3D CAD models