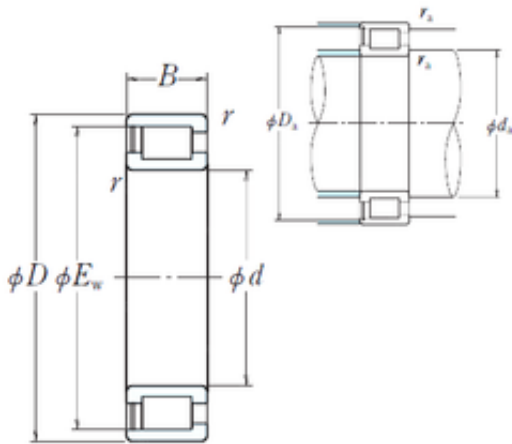




NCF18/630V NSK CYLINDRICAL ROLLER BEARING

Bearing No. NCF18/630V



NCF18/630V Bearing 2D drawings and 3D CAD models

Size	630x742x69 mm
Bore Diameter	630 mm
Outer Diameter	742 mm
Width	69 mm
d	630 mm
D	780 mm
Ew	742 mm
B	69 mm
C	69 mm
r min.	4 mm
Da	748 mm
ra max.	3 mm
da	659 mm
Weight	68,8 Kg
Basic dynamic load rating (C)	1470 kN