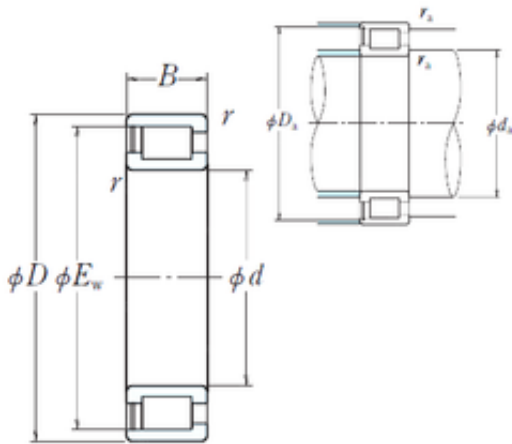




# NTNY BEARING LTD

## NCF18/800V NSK CYLINDRICAL ROLLER BEARING

Bearing No. NCF18/800V



NCF18/800V Bearing 2D drawings and 3D CAD models

|                               |               |
|-------------------------------|---------------|
| Size                          | 800x936x82 mm |
| Bore Diameter                 | 800 mm        |
| Outer Diameter                | 936 mm        |
| Width                         | 82 mm         |
| d                             | 800 mm        |
| D                             | 980 mm        |
| Ew                            | 936 mm        |
| B                             | 82 mm         |
| C                             | 82 mm         |
| r min.                        | 5 mm          |
| Da                            | 940 mm        |
| ra max.                       | 4 mm          |
| da                            | 837 mm        |
| Weight                        | 123,1 Kg      |
| Basic dynamic load rating (C) | 2110 kN       |