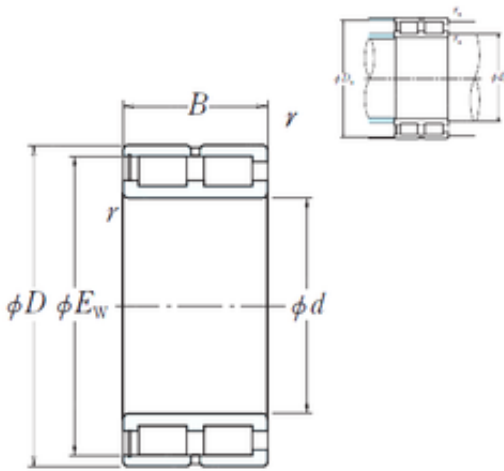




NNCF5030V NSK CYLINDRICAL ROLLER BEARING

Bearing No. NNCF5030V



NNCF5030V Bearing 2D drawings and 3D CAD models

Size	150x206.82x100 mm
Bore Diameter	150 mm
Outer Diameter	206,82 mm
Width	100 mm
d	150 mm
D	225 mm
Ew	206,82 mm
B	100 mm
C	100 mm
r min.	2,1 mm
Da	209 mm
ra max.	2 mm
da	165 mm
Weight	13 Kg
Basic dynamic load rating (C)	785 kN