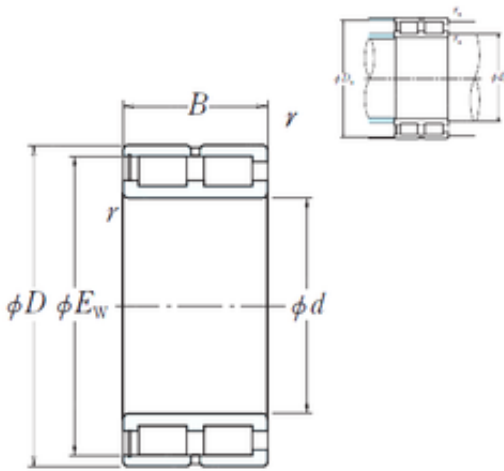




NNCF5056V NSK CYLINDRICAL ROLLER BEARING

Bearing No. NNCF5056V



NNCF5056V Bearing 2D drawings and 3D CAD models

Size	280x390.5x190 mm
Bore Diameter	280 mm
Outer Diameter	390,5 mm
Width	190 mm
d	280 mm
D	420 mm
Ew	390,5 mm
B	190 mm
C	190 mm
r min.	4 mm
Da	395 mm
ra max.	3 mm
da	302 mm
Weight	87,7 Kg
Basic dynamic load rating (C)	2770 kN