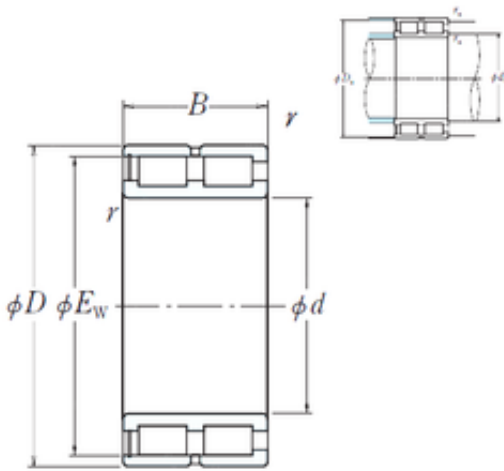




NNCF4968V NSK CYLINDRICAL ROLLER BEARING

Bearing No. NNCF4968V



NNCF4968V Bearing 2D drawings and 3D CAD models

Size	340x431x118 mm
Bore Diameter	340 mm
Outer Diameter	431 mm
Width	118 mm
d	340 mm
D	460 mm
Ew	431 mm
B	118 mm
C	118 mm
r min.	3 mm
Da	438 mm
ra max.	2,5 mm
da	361 mm
Weight	58 Kg
Basic dynamic load rating (C)	1690 kN